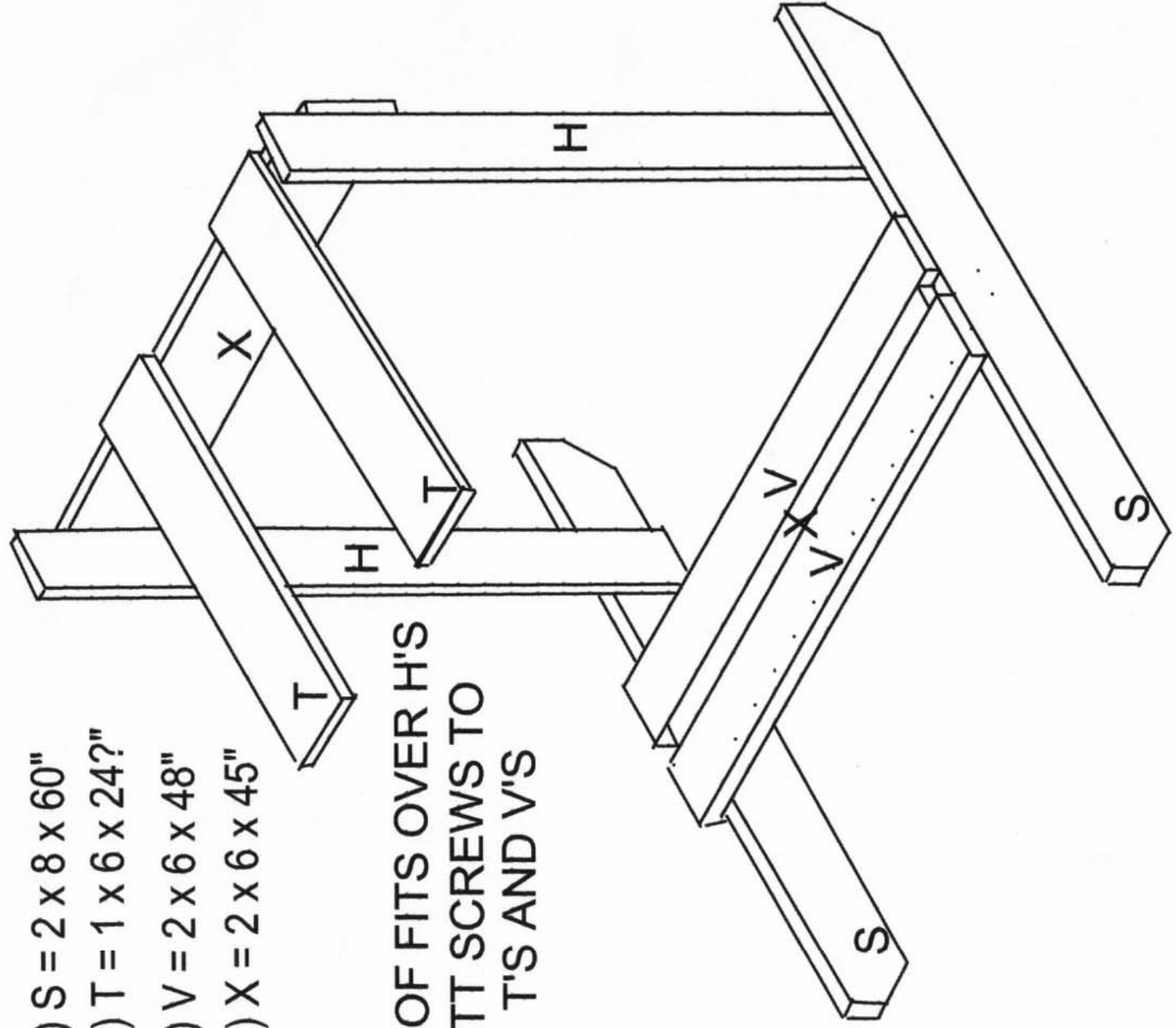


- 2) H = 2 x 8 x 60"
- 2) S = 2 x 8 x 60"
- 2) T = 1 x 6 x 24?"
- 2) V = 2 x 6 x 48"
- 2) X = 2 x 6 x 45"

ROOF FITS OVER H'S
 BUTT SCREWS TO
 T'S AND V'S



BUTT SUPPORT - SKID