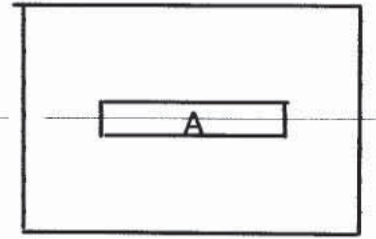


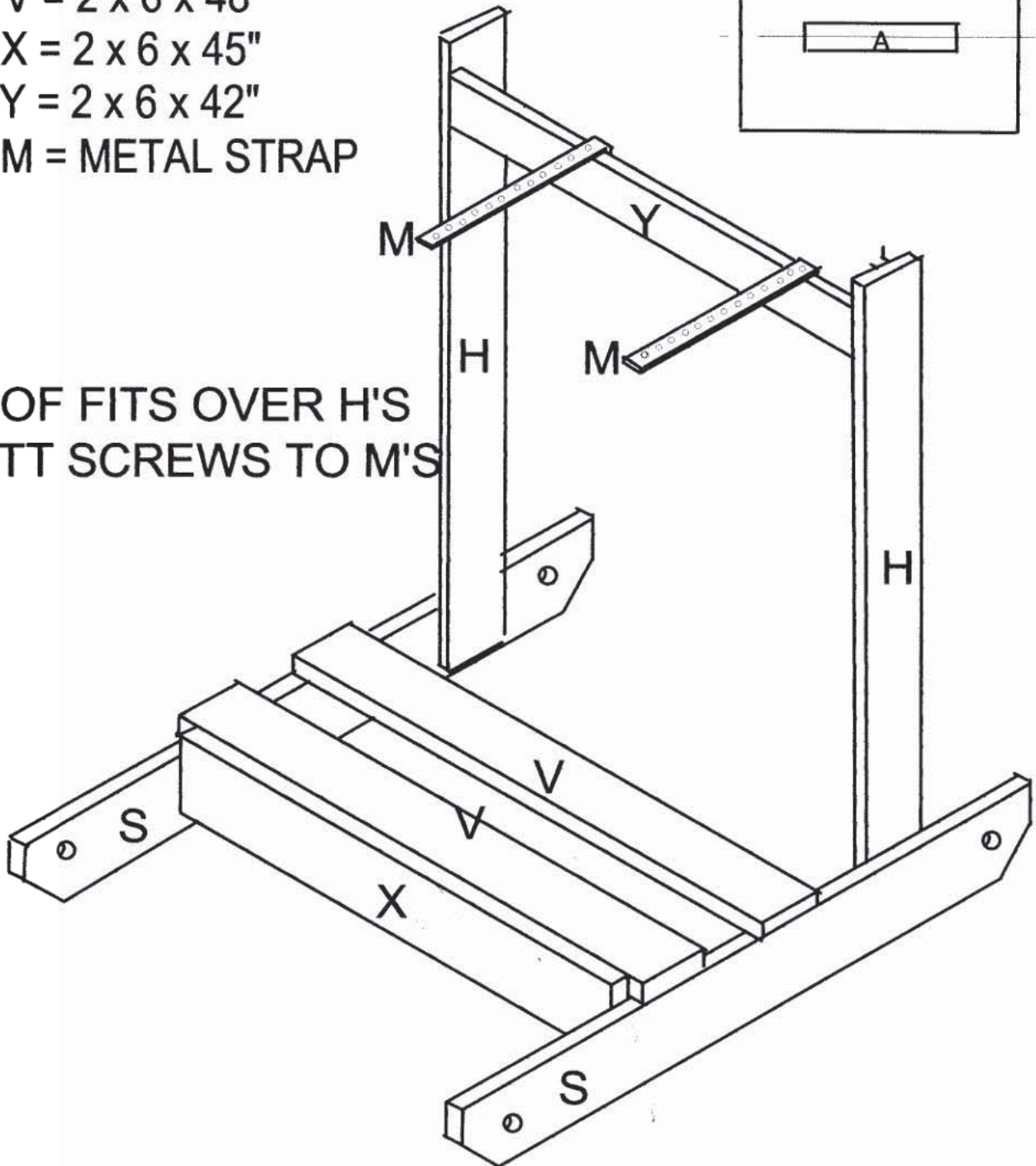
- 2) H = 2 x 8 x 60"
- 2) S = 2 x 8 x 60"
- 2) V = 2 x 6 x 48"
- 1) X = 2 x 6 x 45"
- 1) Y = 2 x 6 x 42"
- 2) M = METAL STRAP

A = 2 x 4 x 30

BUTT BOTTOM



ROOF FITS OVER H'S  
BUTT SCREWS TO M'S



BUTT SUPPORT - SKID